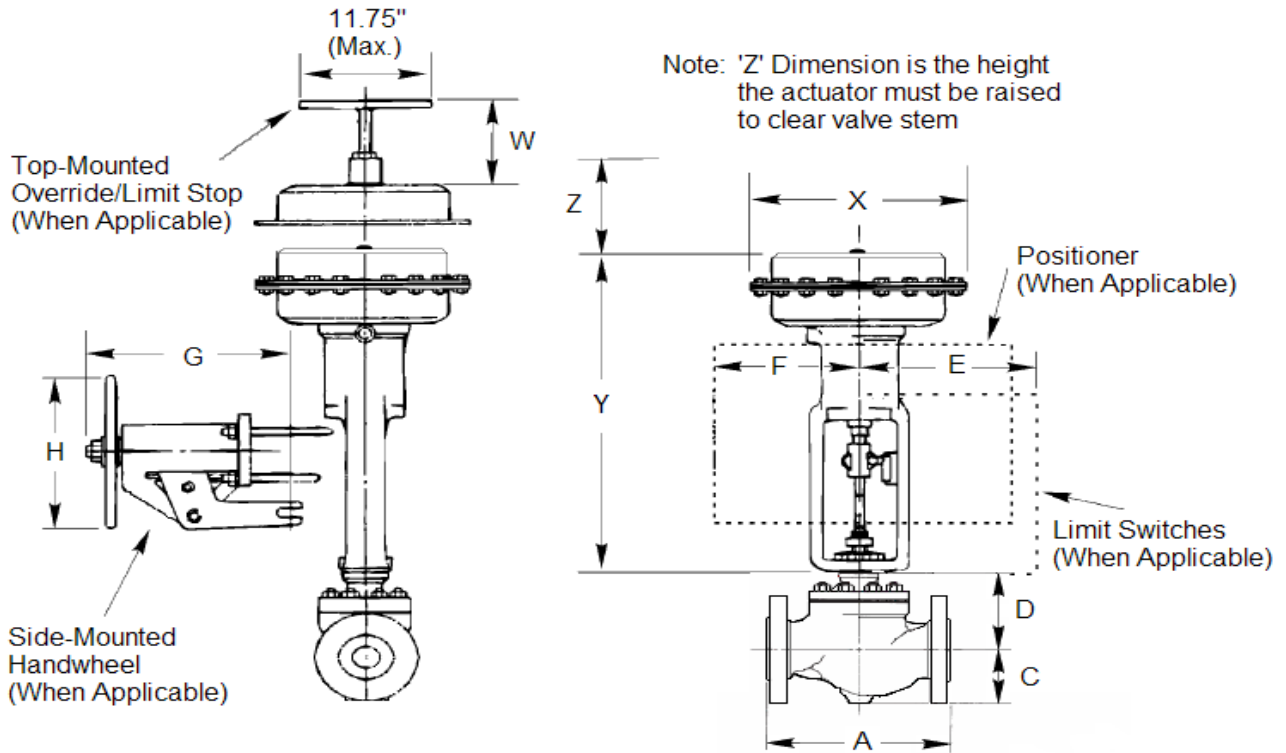


CONTROL VALVE DATA SHEET



PROJECT	UNIT	DATA SHEET	1 OF 1
CUSTOMER		DOC	
P.O.		TAG #	
PROPOSAL	REV	DATE	ITEM #
SERIAL NO.			QTY
SERVICE			DWG

1 2 3 4 5 6 7 8 9 10 11 12	SERVICE CONDITIONS	Fluid	Crit Press, Pc						
			Units	Cond. 1	Cond. 2	Cond. 3	Cond. 4	Cond. 5	Shut-off
		Flow Rate							
		Inlet Pressure							
		Outlet Pressure							
		Inlet Temperature							
		Density							
		Viscosity							
		Vapor Pressure							
		Required Cv							
		Travel	%						
		Predicted SPL	dBa						
13	LINE	Pipe Size / Sch	In		50	ACTUATOR			
14			Out		51				
15		Pipe Line Insulation			52	Type			
16	VALVE BODY / BONNET	Type			53	Mfr / Model	KHD /		
17		Size		ANSI Class	54	Size	Bench Range		
18		Max Press/Temp			/	55	On/Off	Modulating	
19		Mfr & Model				56	Spring Action Open/Close		
20		Body/Bonnet Matl				57	Available Air Supply		
21		Liner Material/ID				58	Actuator Orientation		
22		End Connection	In			59	Handwheel Type		
23			Out			60	Air Failure Valve		
24			Flg Face Finish			61	Mount / Travel	/	
25			End Ext/Material			62	Variation		
26		Flow Direction			63	Stem Connector			
27		Type of Bonnet			64				
28		Lube & Iso Valve		Lube	65	Positioner	Input Signal		
29		Packing Material			66	Type			
30		Plug Seal Material			67	Mfr & Model			
31	VALVE TRIM	Type			68	Increasing Signal			
32		Size		Rated Travel	69	Gauges			
33		Characteristic			70	Cam Characteristics			
34		Balanced/Unbalanced			71	Mounting Bracket			
35		Rated Cv		FL	XT	72			
36		Plug / Ball /Disk Mat'l				73	Switches	Type	
37		Seat Material				74	Mfr & Model	Quantity	
38	Cage / Stack / Guide Mat'l				75	Contact / Rating	/		
39		Stem Material			76	Actuation Points	/		
40	SPECIALS				77	Mounting Bracket			
41					78	AIRSET	Mfr & Model		
42					79	Set Pressure			
43					80	Filter	Gauges		
44					81	ACCESSORIES	Tubing/Fittings		
45					82	Solenoid Valve(s)			
46					83	Volume Booster			
47					84	Snap-Acting Relay			
48					85	I/P Transducer			
49					86	Amplifying Relays			
87	Rev	Date	Description	Orig	87	TESTS	Hydro Press.		
					88		ANSI/FCI Leakage Class		
					89				
					90				
					91				
					92		Paint System		
							AC-4: Standard Paint		



Drawing Type: Preliminary Final Dimensional Units: Inches / Lbs. Millimeters / Kg Flow Direction: Flow Over Flow Under

VALVE BODY DIMENSIONS		ACTUATOR DIMENSIONS		ACCESSORY DIMENSIONS	
A	in. (Note 2)	X	in. (Max.)	E	in. (Max.)
C	in.	Y	in.	F	in. (Max.)
D	in.	Z	in.	G	in. (Max.)
Travel :	in.	W	in.	H	in. (Norm.)

PRODUCT INFORMATION		ESTIMATED WEIGHTS (Note 5)	
QUOTE / ORDER :		Valve :	lbs.
CUSTOMER:		Actuator :	lbs.
PROJECT / LOCATION:		TAG NUMBER	SERIAL NUMBER
CUSTOMER P.O.#:			
Valve Model Number:			
Valve Size:			
End Conn./ Rating:			
Bonnet Type:			
Actuator Model Number:		Notes: 1) Drawing is not to scale. 2) KOSO HAMMEL DAHL reserves the right to deviate from this drawing in areas which do not affect envelope size, form or fit. 3) Tolerance is ± 1.6mm for valves 12.7mm (1/2") to 254mm (10") body size. Tolerance for valves larger than 254mm (10") body size is ±3.2mm. 4) Except where stated otherwise; tolerances are ±6.4mm per 30.5cm of basic dimension. 5) Minor accessories will be mounted in accordance with control valve industry practice. 6) Approximate weight for ANSI Class 600 valve with plain bonnet.	
Top-Mount Handwheel:			
Side-Mount Handwheel:			
Positioner Model Number:			
Limit Switch Model Number:			
Other Access. / Remarks:			
Drawing :	Rev. :		
Prepared By:	Date:		